

INSTRUCTIONS FOR TRADITIONAL POSTERS

Please note the following information for the preparation of your poster.

1. Poster Size

Poster panels are 237cm in height by 95cm in width. Poster size should be

A0 (1189mm x 841mm) including the title page. Small last-minute changes will be possible. Posters should be legible by viewers from one meter away. **The poster title, author(s)'s name(s) and institution(s) should appear at the top.** The message should be clear and understandable without an oral explanation.

2. Poster Session Schedule

Abstracts scheduled for poster presentation are grouped by topic and numbered as listed in the program book. Each poster should be displayed on the numbered board assigned to each presenter. You can attach the poster using adhesive tape which will be provided to each presenter at the desk located in the Emerald Hall (3F) poster presentation area.

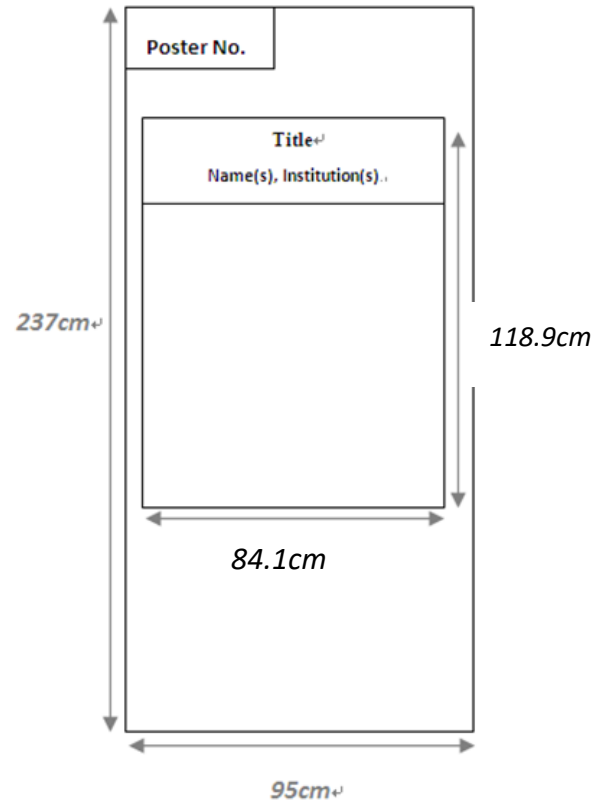
3. Poster Q&A:

- Date & Time: March 30 (Fri), 15:30-17:30
- Place: Poster Exhibition Room (Emerald Hall, 3F)

**All posters will be eligible for nomination for the Best Poster Awards. They will be reviewed by the scientific committee during the Poster Q&A time which means that one of the authors should be on standby in front of their poster to answer any questions by the scientific committee or participants.*

** There is no allocated presentation time for posters.*

** This year, free beer and soft drinks will be available during poster Q&A time for a more relaxed discussion and exchange of ideas.*



POSTER SCHEDULE

All presenters are requested to affix and remove their posters at the following times:

Place	Time (Attachment)	Time (Removal)
Emerald Hall (3F)	Before 9:00, March 30 (Fri)	After 17:30, March 31 (Sat)

(The secretariat will not be liable for any lost or damaged posters.)